

# Technical Data Sheet

CODE 17001

## VORTICE LINEO 100 V0

In-line mixed flow fans



### Certifications



IMQ



CE



IMQ Performance



C Tick Mark



CCC



EAC

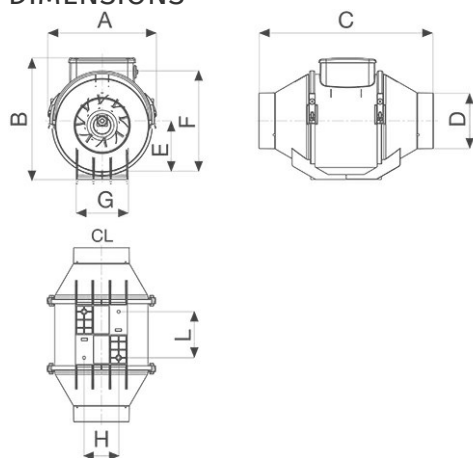


G-Mark

### TECHNICAL AND PERFORMANCE DATA

Absorbed power 1st speed (W)	20	Delivery 1st speed (l/s)	50
Absorbed Power max (W)	23	Delivery 1st speed (m <sup>3</sup> /h)	180
Frequency (Hz)	50	Max delivery at max speed (l/s)	70,8
Insulation Class	II <sup>o</sup>	Max delivery at max speed (m <sup>3</sup> /h)	255
IP	44	Pressure - 1st speed (mmH20)	13
Max ambient temperature for continuous operation (°C)	60	Pressure - 1st speed (Pa)	127,5
Max. absorbed Current at max. speed (A)	0,11	Pressure max - max speed (mmH20)	16,5
Max. absorbed Current at min. speed (A)	0,09	Pressure max - max speed (Pa)	161,9
Max. absorbed power at max speed (W)	23	RPM max	2030
Voltage (V)	220-240	RPM min	1520
Weight (Kg)	1,8	Sound pressure level Lp [dB (A)] 3m - max speed	39,4
		Sound pressure level Lp [dB (A)] 3m - min speed	30,7

### DIMENSIONS



Size A (mm)	188,5
Size B (mm)	211
Size C (mm)	303
Size D (mm)	96
Size E (mm)	101,5
Size F (mm)	189
Size G (mm)	90
Size H (mm)	60
Size L (mm)	80
Size M (mm)	6

#### PER INFORMAZIONI:

Servizio al Cliente: tel +39 02 90699395 premendo 1 dopo messaggio registrato (consulenza su prodotti e impianti)

Pre & Post Vendita: fax +39 02 90699302

Email prevendita: [prevendita@vortice-italy.com](mailto:prevendita@vortice-italy.com)

# Technical Data Sheet

CODE 17001

## VORTICE LINEO 100 V0

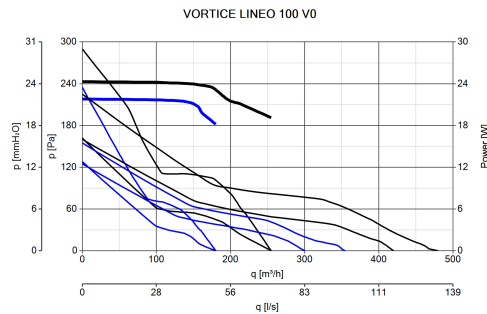
In-line mixed flow fans



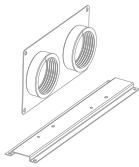
### DESCRIPTION

- Material: self-extinguishing plastic resin (self-extinguishing capability V0)
- Nominal diameter 100 mm.
- 2 speed AC motor with thermal overload cutout and shaft turning in ball bearings, coupled to mixed flow axial-centrifugal impeller.
- Minimum air flow 180 m<sup>3</sup>/h
- Maximum air flow: 255 m<sup>3</sup>/h
- IMQ SAFETY and IMQ PERFORMANCE certifications
- Vortice speed controllers.

### CURVES



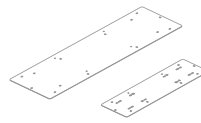
### ACCESSORIES



LINEO-PF 100  
Code 22577



LINEO-C 100  
Code 22584



LINEO-SF 500  
Code 22593



LINEO-G 100  
Code 22701

#### PER INFORMAZIONI:

Servizio al Cliente: tel +39 02 90699395 premendo 1 dopo messaggio registrato (consulenza su prodotti e impianti)  
Pre & Post Vendita: fax +39 02 90699302  
Email prevendita: [prevendita@vortice-italy.com](mailto:prevendita@vortice-italy.com)